

AcerNote 350P

SYSTEM SPECIFICATIONS

Item	Standard	Optional
Microprocessor	Intel Pentium™ 75/100/120	
System memory	8MB (EDO RAM), 32-bit memory bus	Expandable to 40MB (FPM or EDO DIMMs)
CMOS RAM	128 bytes, battery backup 256KB Flash BIOS	
Data storage devices	One 2.5-inch removable Enhanced-IDE hard disk drive (12.5mm) One 3.5-inch, 1.44MB diskette drive	Higher-capacity hard disk drive
Audio/Video	1MB video RAM, local bus video with graphics accelerator	16-bit Sound Blaster-compatible stereo audio
Video display DualScan STN color	10.4-inch, 640 x 480, 64K colors 10.4-inch, 800 x 600, 256 colors	Up to 1024 x 768, 256-color ultra-VGA monitor LCD projection panel
TFT color	10.4-inch, 640 x 480, 16M colors 10.4-inch, 800 x 600, 64K colors	
Keyboard	82-/83-/87-key	101-/102-key, PS/2-compatible keyboard or 17-key numeric keypad
Pointing device	Touchpad	
I/O ports	One 9-pin serial port (RS-232) One 25-pin parallel port (EPP/ECP) One 15-pin CRT port One 6-pin PS/2 keypad/keyboard/mouse connector One type III or two type II PCMCIA slot(s) (PnP) One buzzer	Serial mouse or other serial devices Parallel printer or other parallel devices Up to a 1024 x 768 ultra-VGA monitor 17-key numeric keypad, PS/2 keyboard, mouse or trackball Fax/data modem card or other PC cards One speaker; audio ports (mic-in, line-in, line-out)
AC adapter	100~240Vac, 50~60Hz autosensing AC adapter	Extra AC adapter
Battery pack	NiMH with thermal protection; 1.75 hours quick recharge time	Extra NiMH battery External battery charger
Operating system	Windows 95	MS-DOS, Windows 3.xx
Weight (system unit + battery)	2.65 kg (5.84 lbs)	
Dimensions (system unit + battery)	W x D x H 297 x 215 x 47 mm	

MEMORY CONFIGURATION

Onboard	Slot I	Slot II	Total Memory
0 MB	4 MB	4 MB	8 MB
0 MB	8 MB	8 MB	16 MB
0 MB	16 MB	16 MB	32 MB
8 MB	0 MB	0 MB	8 MB
8 MB	4 MB	4 MB	16 MB
8 MB	8 MB	8 MB	24 MB
8 MB	16 MB	16 MB	40 MB

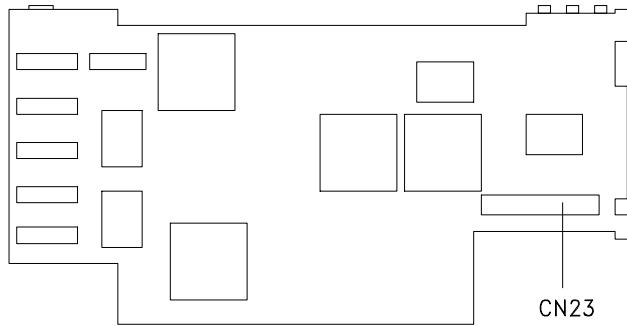
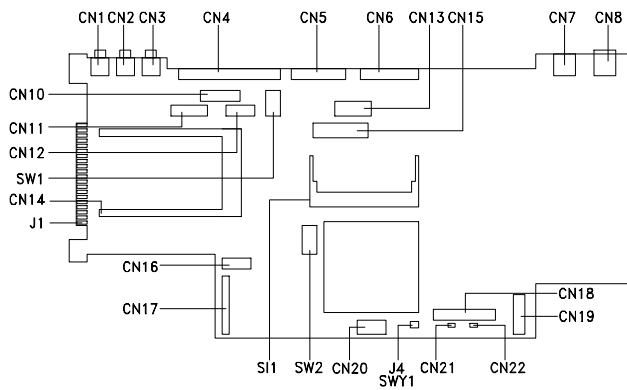
CPU VOLTAGE SELECTION SWITCH (SWY1)

Switch 1	Switch 2	CPU Voltage
ON	ON	3.3V
ON	OFF	3.1V
OFF	ON	3.1V
OFF	OFF	2.9V

CPU VOLTAGE SELECTION JUMPER (J4)

Setting (J4)	CPU Voltage
OPEN	2.9V
SHORT	3.1V

JUMPER AND CONNECTOR LOCATIONS



Top

- Audio Line-out Connector (CN1)
- Microphone Connector (CN2)
- Audio Line-in Connector (CN3)
- Printer Port (CN4)
- Serial Port (CN5)
- External CRT Port (CN6)
- LCD Inverter/Contrast Board Connector (CN13)
- LCD Signal Connector (CN15)
- PS/2 Mouse/Keyboard/Keypad Connector (CN7)
- Power Adapter Connector (CN8)
- FDD Connector (CN18)
- Charger Connector (CN19)
- Buzzer Connector (CN22)
- Speaker Connector (CN21)
- CPU Voltage Settings Switch/Jumper (SWY1/J4)
- Touchpad Connector (CN20)
- CPU Frequency Settings Switch (SW2)
- DIMM Socket (S11)
- DC-DC Converter Connector (C17)
- Battery Board Connector (C16)
- PCMCIA Socket (CN14)
- BIOS Select / Password Enable/Bypass (SW1)
- Keyboard Connector (CN12, CN11)
- LED Board Connector (CN10)
- Golden Finger for Debug Card (J1)

Bottom

- HDD Connector (CN23)